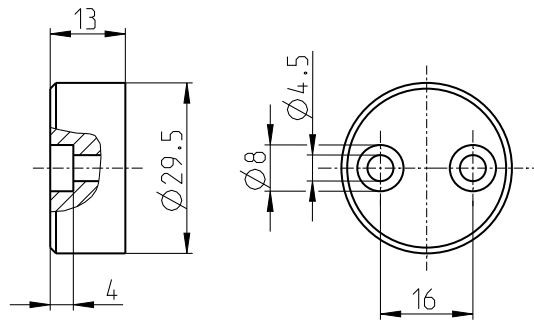


## Magnetic Switch

### Coded Switching Magnet

Description **TK-53-CD/2**

Article number **6402053088**



#### Mechanical data

Enclosure	PA6.6 black (encapsulated magnets)
Magnet	Hartferrit 24/16; axial magnetisation
Ambient air temperature	-20 °C ... +80 °C
Application	Magnetic limit switch type <b>MAK 53</b>
Installation position	operator definable
Pollution degree	3 acc. to EN 60947-1

#### Approvals



UL Listed, Ind. Cont. Eq.